

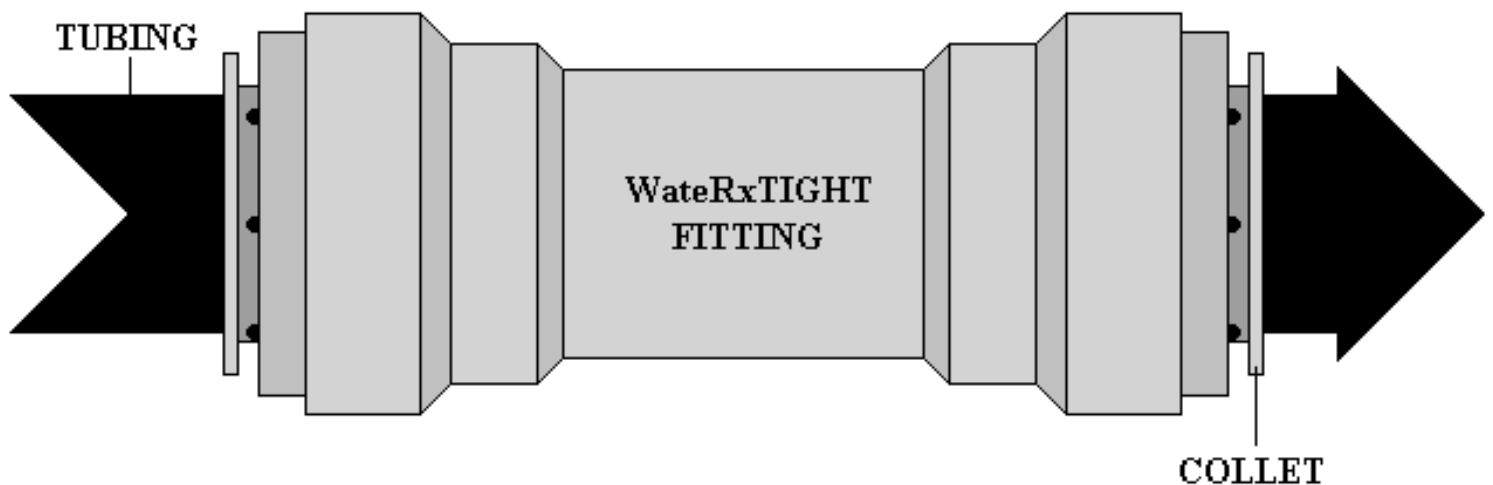
Inserting & Removing tubing from your WaterRxtight Fitting

To remove the tubing from your WaterRxtight fitting:

Push the collet in toward the fitting with one of your fingertips. With your other hand, pull out the tubing. By pushing the collet in toward the fitting, you are forcing it to release its grip on the tubing.

To insert the tubing into your WaterRxtight Fitting:

Push your tubing into the fitting *as far as it will go*, then pull back. The tubing is now locked in place.



**Always u

This document was created with the trial version of Print2PDF!
Once Print2PDF is registered, this message will disappear!
Purchase Print2PDF at <http://www.software602.com/>

fittings**